

SRP-6PB SERIES 6 INCH 60 CELLS



260-275_W

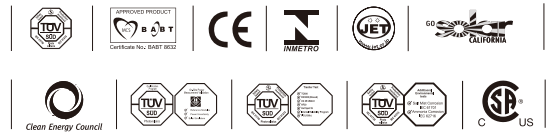


ONLY FOR AUSTRALIA

MANAGEMENT SYSTEM

- ISO 9001: Quality management system
- ISO 14001: Standard for environmental management system
- OHSAS 18001: International standard for occupational health and safety assessment system

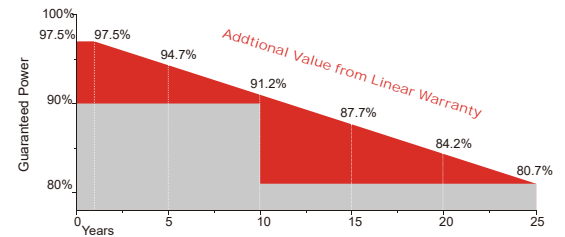
PRODUCT CERTIFICATES



INSURANCE



WARRANTY



10 YEARS Guarantee on product material and workmanship **25 YEARS** linear power output warranty

Safety

- Safety for salt mist corrosion (IEC61701, tested in TÜV SÜD)
- Safety for ammonia corrosion (IEC62716, tested in TÜV SÜD)
- Safety for fire risk (Class C, tested in TÜV SÜD and Rheinland)

Reliability

- PID free products, passing TÜV SÜD system voltage durability test
- World 1st company to pass "Thresher Test" and "On-site Power Measurement Validation" certificate
- Bankable products

Performance

- Outstanding power output capability at low irradiance
- Triple 100% Electroluminescence (EL) tests minimize breakage rate
- Top rank in Photon yield measurement

Specifications are subject to change without further notification SRP-DS-EN-2017V1.0 © Copyright 2017 Seraphim

SRP-6PB SERIES 6 INCH 60 CELLS



DuraFlex™

*DURAFLEX™ PRODUCTS ARE AVAILABLE UPON REQUEST
*BLACK FRAME / BLACK BACK-SHEET PRODUCTS ARE AVAILABLE UPON REQUEST.

Electrical Characteristics (STC)

Module Type	SRP-260-6PB	SRP-265-6PB	SRP-270-6PB	SRP-275-6PB
Maximum Power at STC -P _{mp} (W)	260	265	270	275
Open Circuit Voltage -V _{oc} (V)	38	38.30	38.5	38.8
Short Circuit Current -I _{sc} (A)	8.72	8.83	8.94	9.02
Maximum Power Voltage -V _{mp} (V)	30.9	31.1	31.3	31.6
Maximum Power Current -I _{mp} (A)	8.42	8.53	8.63	8.71
Module Efficiency STC-η _m (%)	15.98	16.29	16.6	16.9

STC: Irradiance 1000 W/m² module temperature 25°C AM=1.5

Power measurement tolerance: +/-3%

Electrical Characteristics (NOCT)

Module Type	SRP-260-6PB	SRP-265-6PB	SRP-270-6PB	SRP-275-6PB
Maximum Power at NOCT -P _{mp} (W)	192	196	200	203
Open Circuit Voltage -V _{oc} (V)	35	35.3	35.5	35.7
Short Circuit Current -I _{sc} (A)	7.05	7.14	7.22	7.29
Maximum Power Voltage -V _{mp} (V)	28.8	29.1	29.3	29.5
Maximum Power Current -I _{mp} (A)	6.67	6.74	6.83	6.88

NOCT: Irradiance 800 W/m² ambient temperature 20°C wind speed :1m/s

Power measurement tolerance: +/-3%

Power Tolerance (W)	(0,+4.99)
Maximum System Voltage (V)	1000 (TÜV), 1000 (UL)
Maximum Series Fuse Rating (A)	15

Temperature Characteristics

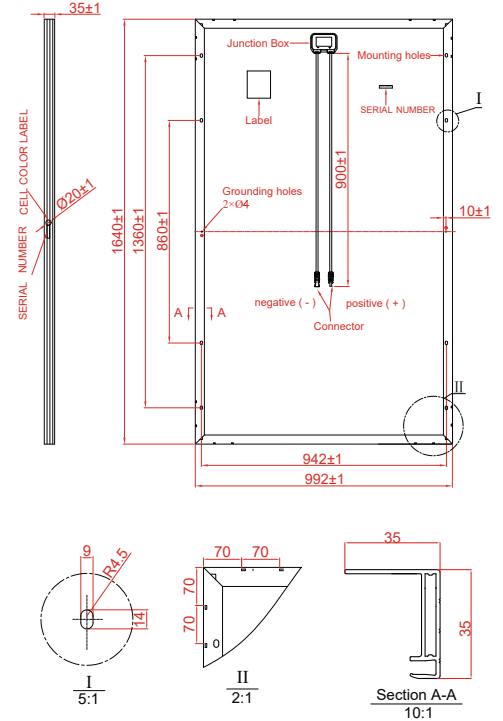
Pmax Temperature Coefficient	-0.41 %/°C
Voc Temperature Coefficient	-0.32 %/°C
Isc Temperature Coefficient	+0.05 %/°C
Operating Temperature	-40~+85 °C
Nominal Operating Cell Temperature (NOCT)	45±2 °C

Packing Configuration

	1640 x 992 x 35mm	
Container	20'GP	40'GP
Pieces per Pallet	30	30
Pallets per Container	12	28
Pieces per Container	360	840

Mechanical Specifications

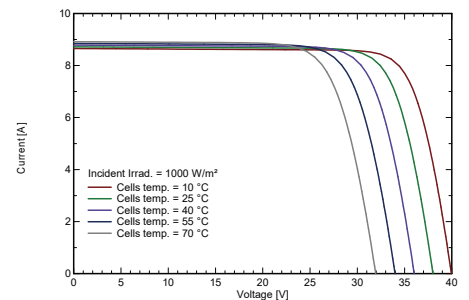
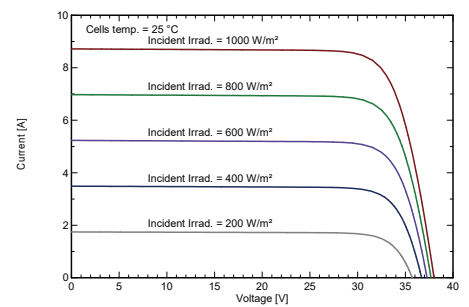
External Dimensions	1640 x 992 x 35 mm
Weight	18.5kg
Solar Cells	Poly crystalline 156.75 x 156.75 mm (60pcs)
Front Glass	3.2 mm tempered glass, low iron
Frame	Anodized aluminium alloy
Junction Box	IP67
Output Cables	4.0 mm ² ,cable length:900 mm
Connector	TL-CABLE01 / PV-TT01 / 05-6
Mechanical Load	5400 Pa



* All Dimensions in mm

* The above drawing is a graphical representation of the product.
For engineering quality drawings please contact SERAPHIM.

I-V Curve (SRP-260-6PB)



Specifications are subject to change without further notification SRP-DS-EN-2017V1.0 © Copyright 2017 Seraphim